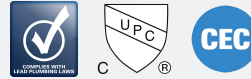
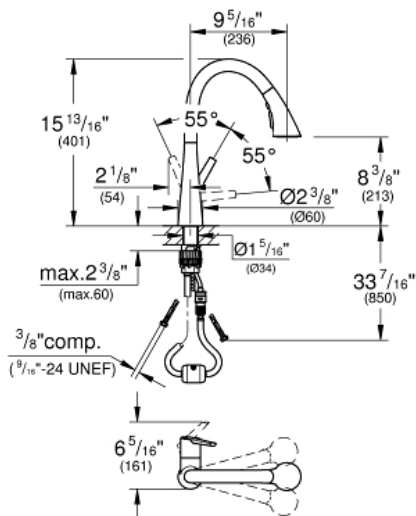


LADYLUX
Single-Handle Kitchen Faucet
MODEL # 32298DC3

Pure Freude
an Wasser

GROHE



Product Description:
LADYLUX
Single-Handle Kitchen Faucet

Standard Specification:

- Single hole installation
- **GROHE StarLight** finish
- **GROHE SilkMove** 1.4" (35 mm) ceramic cartridge
- GROHE Magnetic Docking guarantees easy retraction and smooth docking of the spray head back to the starting position
- Pull-out spray with 3 spray types
- Diverter: Laminar spray/SpeedClean shower jet/GROHE Blade spray (reduced water consumption by up to 70% and even stronger spray performance)
- Stop function - pause button to stop the water flow
- Automatic return to laminar spray
- Adjustable flow rate limiter
- Swivel Spout
- Check valve included to prevent backflow
- Stainless steel flex lines
- GROHE QuickFix Plus ultra fast and simple installation - no tools needed
- GROHE Zero isolated inner water ways - lead and nickel free
- 1.75 gpm

Applicable Codes & Standards:

- Energy Policy Act of 1992
- NSF 61
- ASME A112.18.1/CSA B125.1
- US Federal and State material regulations
- CalGreen
- LOGO CEC

Color:

- 32298DC3 SuperSteel InfinityFinish